



UNIVERSAL GUN

24/05/11

GB

RED TRIGGER P/N 15.0003.11

FEATURES:

- * Body and sealing seat in polypropylene reinforced with fiberglass.
- * Pin in polypropylene reinforced with fiberglass.
- * Seal obtained by ball in tempered stainless steel AISI 420 and spring in stainless steel AISI 302
- * Seals in NBR
- * Rear fluid entry
- * Inlet / Outlet G 1/2 F
- * Max Pressure 25bar – 2.5Mpa (363psi)
- * Max Flow rate 70 l/min (18.5 USGp.m.)
- * Max temperature 50°C (120° F)
- * Weight 131 gr (4.62 oz.)

BLUE TRIGGER P/N 15.0003.12

FEATURES:

- * Body and sealing seat in polypropylene reinforced with fiberglass
- * Pin in stainless steel AISI 303
- * Seal obtained by ball in tempered stainless steel AISI 420 and spring in stainless steel AISI 302
- * Seals in VITON
- * Rear fluid entry
- * Inlet / Outlet G 1/2 F
- * Max Pressure 25bar – 2.5Mpa (363psi)
- * Max Flow rate 70 l/min (18.5 USGp.m.)
- * Max temperature 50°C (120° F)
- * Weight 131 gr (4.62 oz.)

GREY TRIGGER P/N 15.0013.12

FEATURES:

- * Body and sealing seat in polypropylene reinforced with fiberglass
- * Pin in stainless steel AISI 316
- * Seal obtained by ball in stainless steel AISI 316 and spring in stainless steel AISI 316
- * Seals in VITON
- * Rear fluid entry
- * Inlet / Outlet G 1/2 F
- * Max Pressure 25bar – 2.5Mpa (363psi)
- * Max Flow rate 70 l/min (18.5 USGp.m.)
- * Max temperature 50°C (120° F)
- * Weight 131 gr (4.62 oz.)

BROWN TRIGGER P/N 15.0015.12

FEATURES:

- * Body and sealing seat in polypropylene reinforced with stapled fiberglass
- * Pin in stainless steel AISI 316
- * Seal obtained by ball in stainless steel AISI 316 and spring in stainless steel AISI 316
- * Seals in VITON
- * Rear fluid entry
- * Inlet / Outlet G 1/2 F
- * Max Pressure 25bar – 2.5Mpa (363psi)
- * Max Flow rate 70 l/min (18.5 USGp.m.)
- * Max temperature 50°C (120° F)
- * Weight 131 gr (4.62 oz.)

GREEN TRIGGER P/N 15.0014.12

FEATURES:

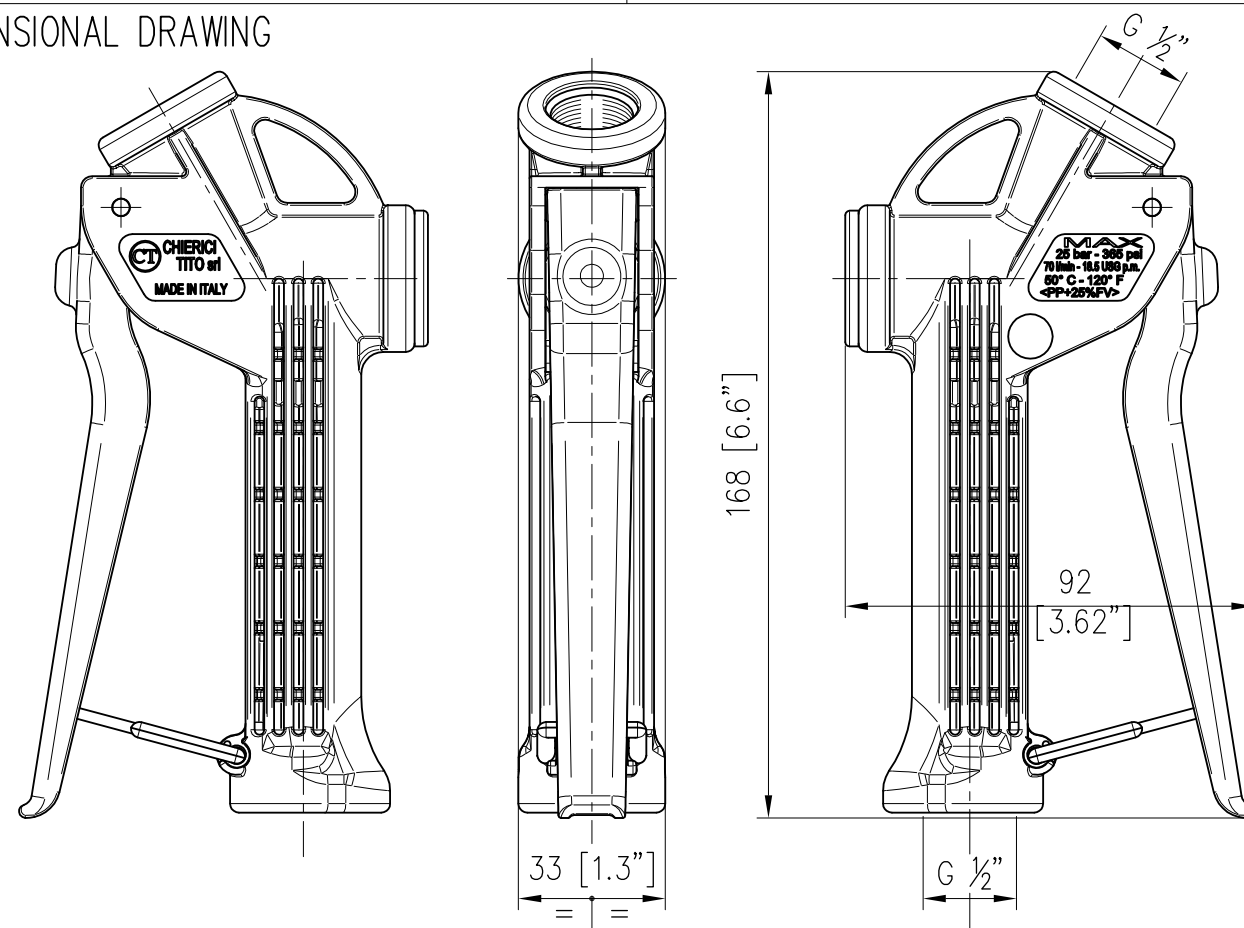
- * The gun always leaks a small quantity of fluid
Pressure loss: 2.8bar – 0.3Mpa (40psi) equal to 1–1.3 l/min 0.3 USGp.m.
- * Body and sealing seat in polypropylene reinforced with fiberglass
- * Pin in stainless steel AISI 316
- * Seal obtained by ball in stainless steel AISI 316 and spring in stainless steel AISI 316
- * Seals in VITON
- * Rear fluid entry
- * Inlet / Outlet G 1/2 F
- * Max Pressure 25bar – 2.5Mpa (363psi)
- * Max Flow rate 70 l/min (18.5 USGp.m.)
- * Max temperature 50°C (120° F)
- * Weight 131 gr (4.62 oz.)

YELLOW TRIGGER P/N 15.0003.10

FEATURES:

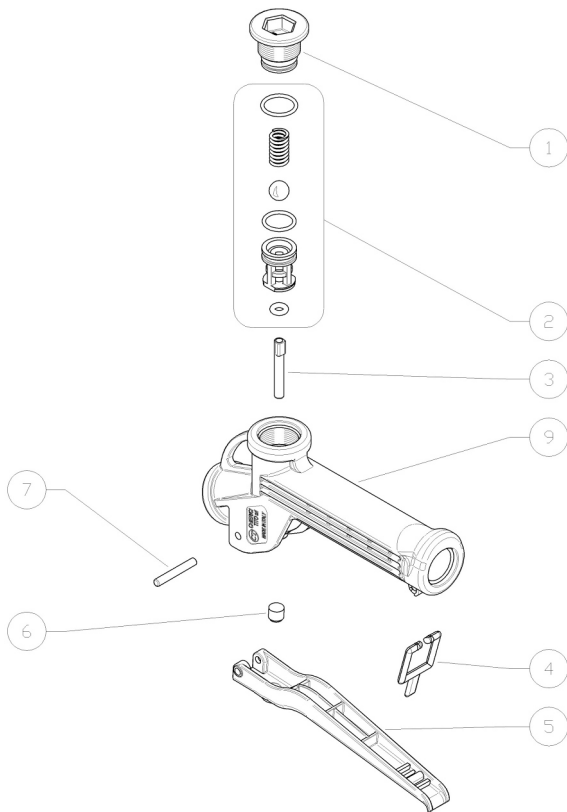
- * Body and sealing seat in polyamide reinforced with fiberglass
- * Pin in stainless steel AISI 303
- * Seal obtained by ball in tempered stainless steel AISI 420 and spring in stainless steel AISI 302
- * Seals in VITON
- * Rear fluid entry
- * Inlet / Outlet G 1/2 F
- * Max Pressure 60bar – 6Mpa (870psi)
- * Max Flow rate 70 l/min (18.5 USGp.m.)
- * Max temperature 60°C (140° F)
- * Weight 162 gr (5.7 oz.)

DIMENSIONAL DRAWING



15.0003.10R CP12-06 sp. gun, yellow trigger

15.0003.11R CP12-02 sp.gun red trigger



15.0003.12R CP12-00 sp. gun, blue trigger

15.0013.12R CP12-04 sp. gun, grey trigger

Pos.	P/N	Description	Q.ty	K1	K2	K3	K4	
1	13.0003.24R	Plug -Universal, PP black	1					5
1	13.0003.39R	Plug -Universal gun, Pa6 (1)	1					5
2	99.0003.04R	Spares kit,Univer.gun, blue trig. (2)	1					1
2	99.0003.16R	Spares kit -Universal gun, yellow trigger (1)	1					1
2	99.0003.03R	Spares kit,Universal gun, red trigger (3)	1					1
2	99.0003.13R	Spares kit,Univer.gun, grey trigger (4)	1					1
3	12.0050.08R	Parallel pin, 5x36 mm Sst.	1					5
3	13.0003.55R	Parallel pin, 5x36 mm PP (3)	1					5
4	13.0003.30R	Red safety latch, Universal gun	1					10
5	13.0003.32R	Blue trigger -Universal gun (2)	1					10
5	13.0003.31R	Red trigger -Universal gun (3)	1					3
5	13.0003.35R	Yellow trigger -Universal gun (1)	1					3
5	13.0003.36R	Gray trigger -Universal gun (4)	1					3
6	13.0003.28R	Stop pin, 8x7 mm	1					5
7	12.0050.21R	Parallel pin, 4x28 mm	1					5
9	13.0003.11R	Casing -Universal gun, PP	1					10
9	13.0003.27R	Casing -Universal gun, Pa6 (1)	1					10

(1) 15.0003.10 (2) 15.0003.12 (3) 15.0003.11 (4) 15.0013.12