

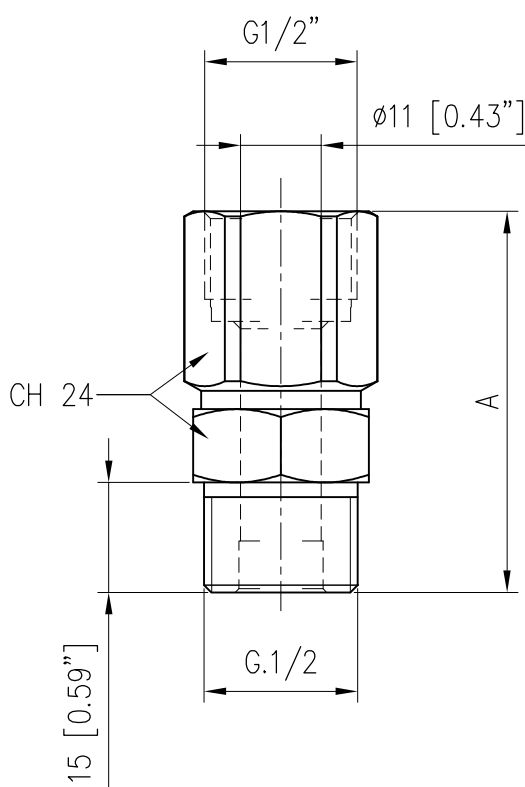
	EQUIPAGGIAMENTI TECNICI LAVAGGIO	26.1070.00 26.1076.00 26.1080.00 GIUNTO GIREVOLE SW5 SWIVEL SW5	①	5
			Ⓜ	



SPECIFICHE TECNICHE SPECIFICATIONS

- PRESSIONE NOMINALE <i>RATED PRESSURE</i>	200 bar – 20 MPa (2900 psi)		
- PRESSIONE CONSENTITA <i>PERMISSIBLE PRESSURE</i>	220 bar – 22 MPa (3200 psi)		
- PORTATA MASSIMA <i>MAX FLOW RATE</i>	160 l/min (42 USG p.m.)		
- TEMPERATURA MASSIMA DI LAVORO (UTILIZZO CONTINUO) <i>MAX WORKING TEMPERATURE (CONTINUOUS USE)</i>	90° C (194 °F)		
- TEMPERATURA MASSIMA AMMESSA (SOLO PER BREVI PERIODI) <i>MAX PERMISSIBLE TEMPERATURE (FOR SHORT PERIODS ONLY)</i>	160° C (320 °F)		
- NUMERO DI GIRI MAX. <i>MAX RPM</i>	30		
- COPPIA ALLA PRESSIONE NOMINALE <i>TORQUE AT RATED PRESSURE</i>	26.1070.00	29.1076.00	~1.9 Nm (16.8 Lbs.in)
		26.1080.00	~1.5 Nm (13.3 Lbs.in)
- MATERIALE <i>MATERIAL</i>	26.1070.00 ACCIAIO	INOX AISI303	- 26.1076.00 INOX AISI316
		26.1080.00	OTTONE (BRASS)
- GUARNIZIONI <i>SEALS</i>	OR IN FKM (VITON) O-RING SEALS IN FKM (VITON)		

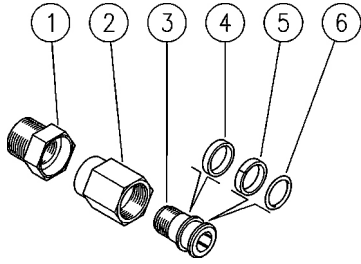
MISURE D'INGOMBRO OVERALL DIMENSIONS



CODICE <i>CODE</i>	MATERIALE <i>MATERIAL</i>	A
26.1070.00	INOX AISI303 S.S.T.	52
26.1076.00	INOX AISI316 S.S.T.	52
26.1080.00	OTTONE BRASS	55

26.1070.00 SW5 Giunto gir. inox Ai303-G1/2 MF -gr.port.

26.1076.00 SW5 Giunto gir. Ai316- G1/2 MF -gr.port.



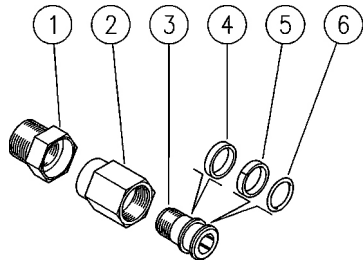
26.1080.00 SW5 Giunto gir. ott. G1/2 MF -gr.port.

Pos.	Codice	Descrizione	Q.tà	K1	K2	K3	K4	
1	26.1071.31R	Racc. G1/2M-M15x1F ott. (1)	1					10
1	26.1071.51R	Racc. G1/2M-M15x1F inox (2)	1					5
1	26.1071.60R	Racc. G1/2M-M15x1F inox Ai316 (2)	1					5
2	26.1073.31R	Manicotto G1/2F ott. (1)	1					5
2	26.1073.51R	Manicotto G1/2F inox (3)	1					5
2	26.1073.60R	Manicotto G1/2F inox Ai316 (2)	1					5
3	26.1072.31R	Perno M15x1-19 mm ott. (1)	1					10
3	26.1072.51R	Perno M15x1-19 mm inox (3)	1					5
3	26.1072.60R	Perno M15x1-19 mm inox Aisi316 (2)	1					5
4	26.1074.85R	Boccola 15,5x19x4 mm PTFE	1					10
5	26.1075.85R	Boccola aperta 15,5x19x4 mm PTFE	1					10
6	10.3092.10R	An.OR 2x15 mm Vi 70	1					10

(1) 26.1080.00 (2) 26.1076.00 (3) 26.1070.00

26.1070.00 SW5 Swivel,sst Ai303-1/2 MF Bsp -large flow

26.1076.00 SW5 Swivel,sst Ai316-1/2 MF Bsp -large flow



26.1080.00 SW5 Swivel,brass 1/2 MF Bsp -large flow

Pos.	P/N	Description	Q.ty	K1	K2	K3	K4	
1	26.1071.31R	Coupling, 1/2M Bsp-M15x1F brass (1)	1					10
1	26.1071.51R	Coupling, 1/2M-M15x1F Sst. (2)	1					5
1	26.1071.60R	Coupling, 1/2M-M15x1F Sst.Ai 316 (2)	1					5
2	26.1073.31R	Coupling, 1/2F Bsp brass (1)	1					5
2	26.1073.51R	Coupling, 1/2F Bsp Sst. (3)	1					5
2	26.1073.60R	Coupling, 1/2F Bsp Ai 316 Sst. (2)	1					5
3	26.1072.31R	Pin, M15x1-19 mm brass (1)	1					10
3	26.1072.51R	Pin, M15x1-19 mm Sst. (3)	1					5
3	26.1072.60R	Pin, M15x1-19 mm Aisi 316 Sst. (2)	1					5
4	26.1074.85R	Bushing, 15,5x19x4 mm PTFE	1					10
5	26.1075.85R	Bushing, open 15,5x19x4 mm PTFE	1					10
6	10.3092.10R	O-ring, 2x15 mm Vi 70	1					10

(1) 26.1080.00 (2) 26.1076.00 (3) 26.1070.00



P.A. S.p.A.
Via Milano, 13
42048 Rubiera, Reggio Emilia - Italy
Tel +39.0522.623611
Fax +39.0522.629600
info@pa-etl.it

www.pa-etl.it



COMPANY WITH QUALITY MANAGEMENT
SYSTEM CERTIFIED BY DNV
= ISO 9001 =