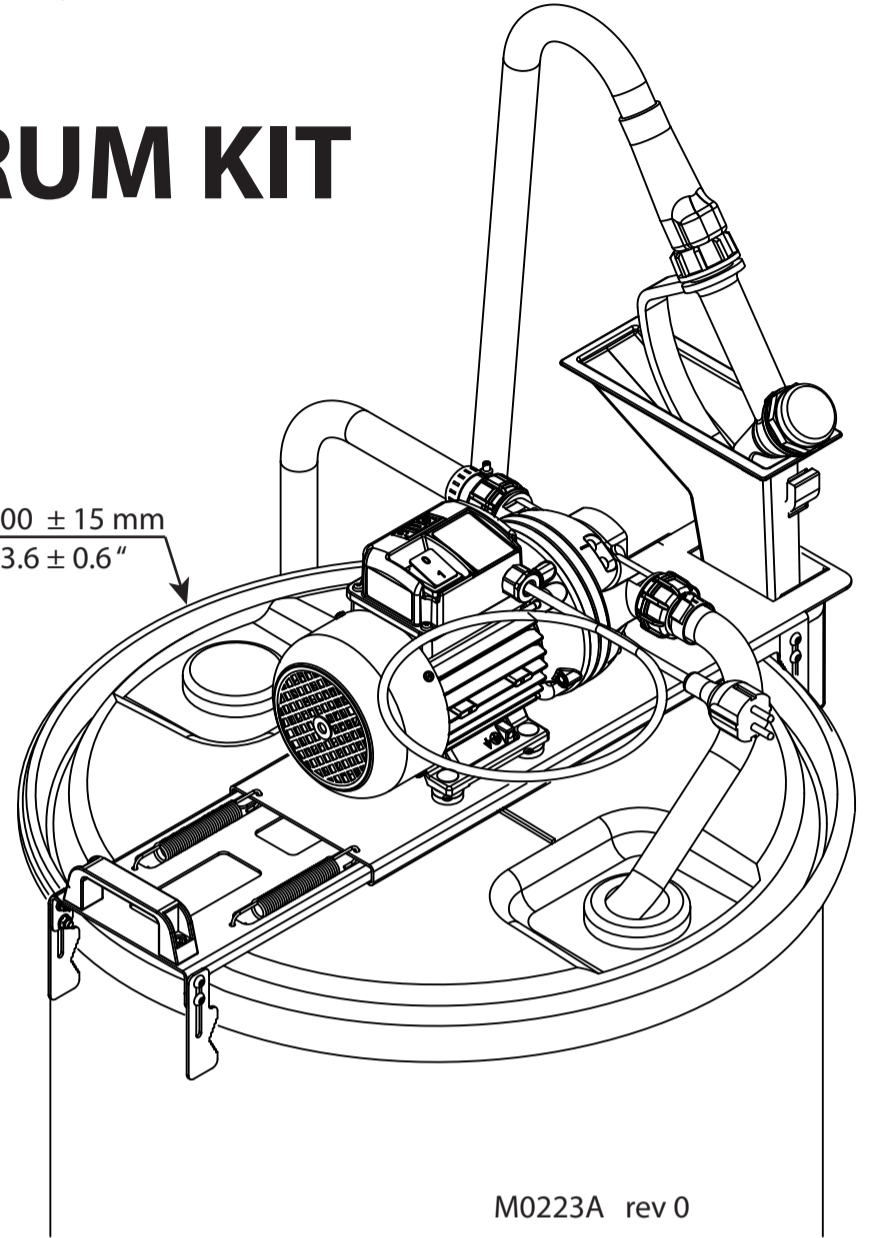


**PIUSI**

*Fluid Handling Innovation*

# DRUM KIT

$\varnothing 600 \pm 15 \text{ mm}$   
 $\varnothing 23.6 \pm 0.6''$



M0223A rev 0

**PIUSI**

*Fluid Handling Innovation*

M0223A rev 0

