



ADVANCED FLUID
MANAGEMENT SOLUTIONS

RAASM S.p.a.

Via Marangoni 33, 36022

S. Zeno di Cassola (VI) Italy

Tel. +39 0424 570891

info@raasm.com

P/N 9434.350

Fixed hose reel in ABS and brackets in AISI 304 stainless steel s. 430, for hot water, 400 bar, without hose. Inlet G 3/8" (f), outlet G 1/2" (f)

AREAS OF USE

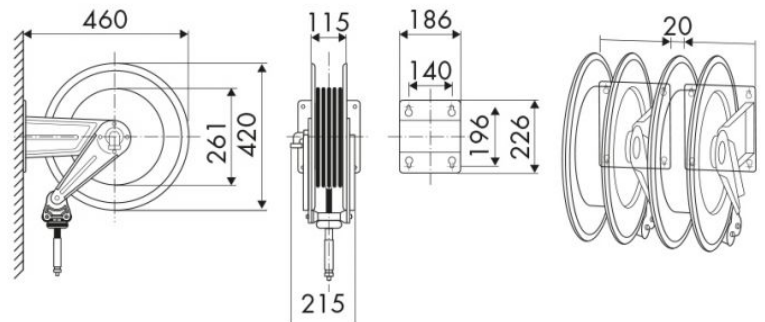
Aeronautics, Agriculture, Automotive, Cleaning, Building and road construction, Chemical industry, Manufacturing industry, Shipping and offshore, Railway transport

FEATURES

Pressure	400 bar
Compatible fluids	water max 130 °C
Swivel joint	AISI 304 stainless steel
Seals	Viton®
Characteristic	fixed
Material	AISI 304 stainless steel with ABS drum
Couplings	-
Hose	-
Ø and hose length	-
Inlet	G 3/8" (f)
Outlet	G 1/2" (f)
Reel flow path	AISI 304 stainless steel



OVERALL DIMENSIONS (mm)



HOSE REELS CAPACITY

Ø 3/8"	Ø 1/2"
25 m	25 m