



ADVANCED FLUID  
MANAGEMENT SOLUTIONS

**RAASM S.p.a.**

Via Marangoni 33, 36022  
S. Zeno di Cassola (VI) Italy  
Tel. +39 0424 570891  
info@raasm.com

## P/N 9534.350

Fixed hose reel in ABS and brackets in AISI 304 stainless steel s. 530, for hot water, 400 bar, without hose. Inlet G 3/8" (f) - outlet G 1/2"(f)

### AREAS OF USE

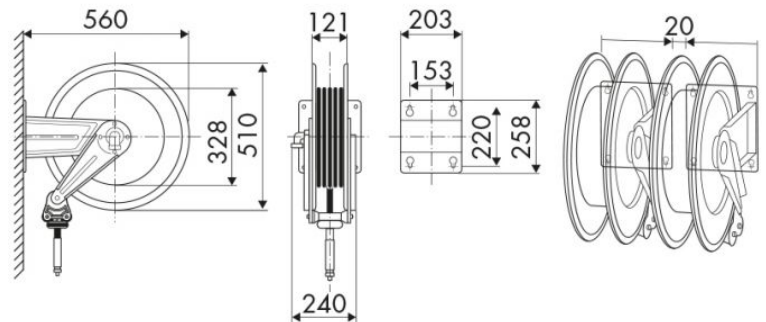
Aeronautics, Agriculture, Automotive, Cleaning, Building and road construction, Chemical industry, Manufacturing industry, Shipping and offshore, Railway transport

### FEATURES

Pressure	400 bar
Compatible fluids	water max 130 °C
Swivel joint	AISI 304 stainless steel
Seals	Viton®
Characteristic	fixed
Material	AISI 304 stainless steel with ABS drum
Couplings	-
Hose	-
Ø and hose length	-
Inlet	G 3/8" (f)
Outlet	G 1/2" (f)
Reel flow path	AISI 304 stainless steel



### OVERALL DIMENSIONS (mm)



### HOSE REELS CAPACITY

Ø 3/8"	Ø 1/2"	Ø 5/8"
25 m	25 m	22 m